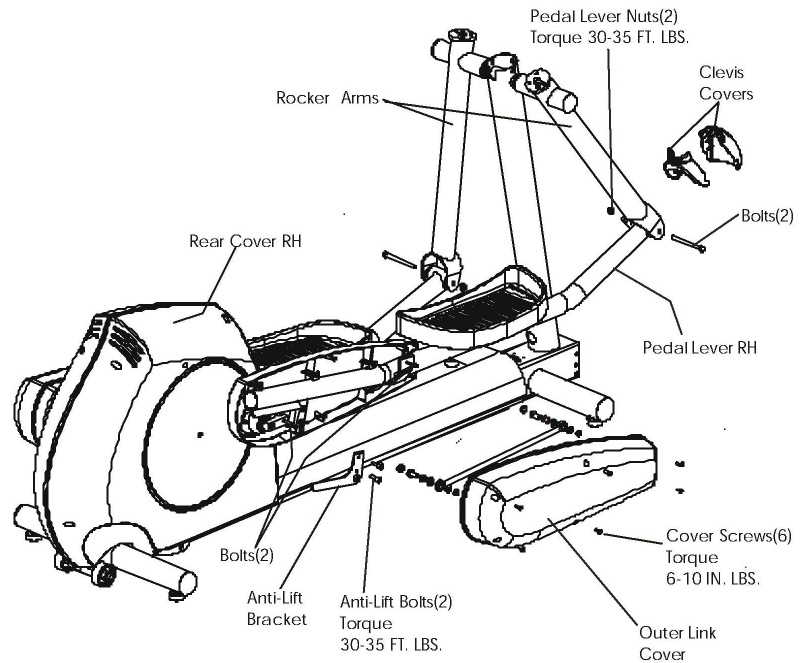


Life Fitness Model 8500, 9100, and 9500HR Cross-Trainers

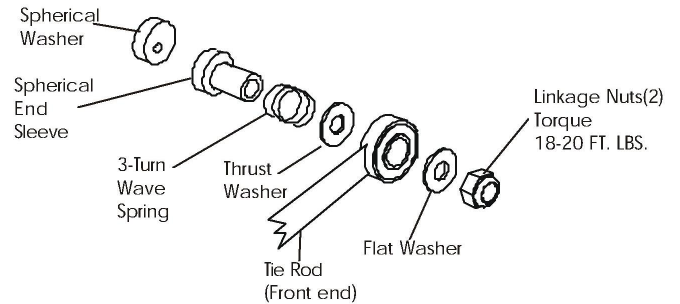
How To... Replace Pedal Lever Assembly

Tools required: Phillip screwdriver, Allen wrench set, 3/8" Socket set, and Standard wrench set

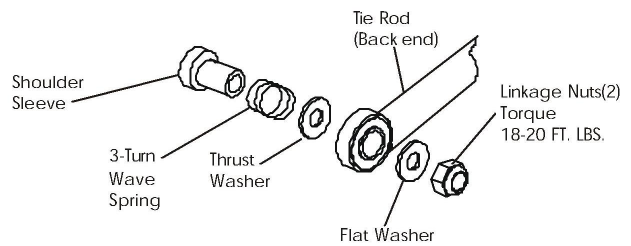
1. Remove six(6) screws from the OUTER LINK COVER and remove cover.
2. Remove the TIE ROD.
3. Remove the CLEVIS COVER from each pedal lever.
4. Remove the ANTI-LIFT BRACKET and lower the PEDAL LEVER ASSEMBLY.
5. Remove the nut and bolt securing the pedal lever to the ROCKER ARM, and remove the pedal lever.
6. Remove the inner link cover screws(4) and remove the inner link cover.
7. Install new pedal lever in reverse order except as follow:



- A) When tightening the clevis to the pedal lever bolt, the pedal lever track must be resting on the roller on the crankarm. See illustration below.
- B) The identification mark on the tie rod must be forward.
- C) An identification mark on the tie rod must face towards the front of the machine. Using a small amount of Moly grease between the inner race of the bearing and sleeve, attach the tie rod at the rear of the machine first, then at the front.
- D) Use a small amount of grease between the spherical washer and the spherical end sleeve.



Front End View



Back End View

